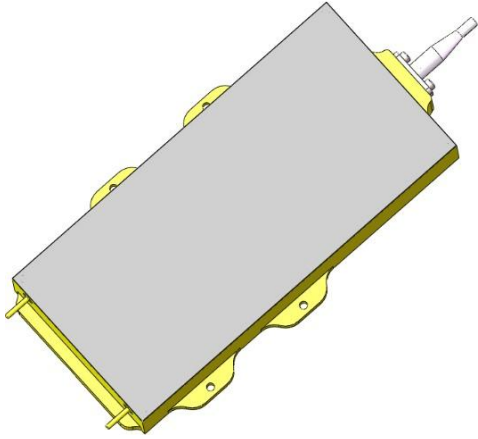


## High Power Laser Diode Module



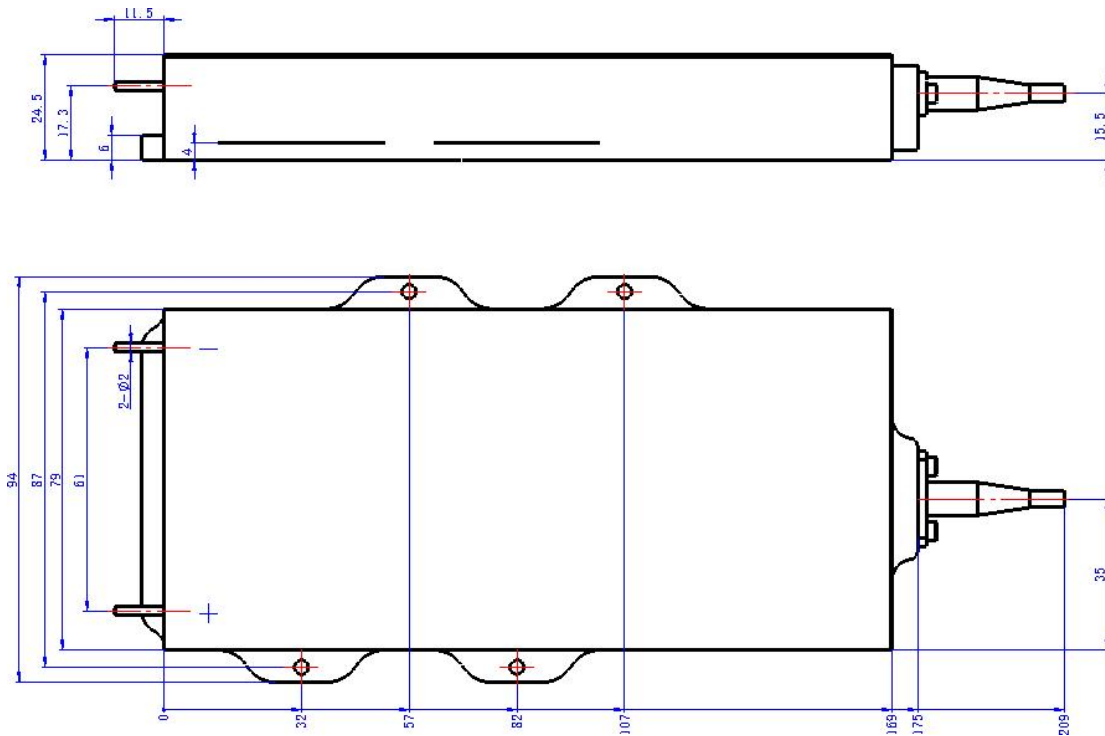
### Features

- ◆ High output power of 660W
- ◆ 200μm/0.22NA multimode optical fiber
- ◆ Center wavelength 976±3nm

### Applications

- ◆ Fiber laser pumping
- ◆ Material surface processing

### Package Dimensions (mm)



### Typical Device Performance

	Min	Typical	Max	Unit
<b>Optical</b>				
CW Output Power		660		W
Center Wavelength	973	976	979	nm
Spectral Width (FWHM)		6		nm
Wavelength Shift with Temperature		0.3		nm/°C
Feedback Protection(1040-1100nm)		>30		dB
Power within 0.18 NA		95 %		-
<b>Electrical</b>				
Threshold Current		1.1		A
Operating Current		33	34	A
Operating Voltage		37		V
Power Conversion Efficiency		50 %		-
<b>Fiber</b>				
Fiber Core Diameter	196	200	204	μm
Fiber Cladding Diameter	216	220	224	μm
Numerical Aperture	0.20	0.22	0.24	-
Fiber Length		2		m
Fiber Connector		-		-

\*Customized fiber available.

### Absolute Ratings

	Min	Max	Unit
Operating Temperature	5	45	°C
Operating Relative Humidity	-	75	%
Cooling Mode		Water cooling	-
Storage Temperature	-30	85	°C
Storage Relative Humidity		90	%
Lead Soldering Temperature		260	°C