

# NLM Series Multi-mode Narrow Linewidth Laser



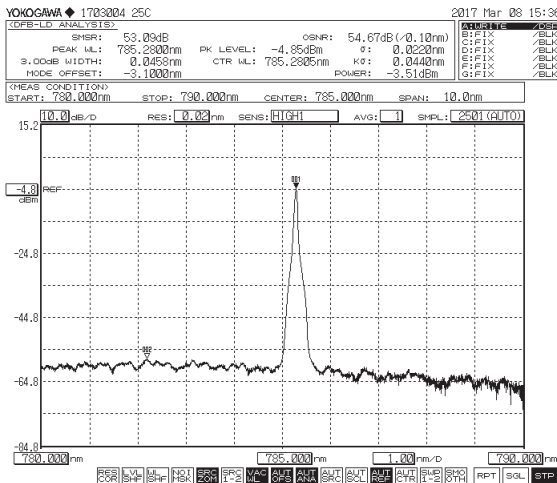
## Key Features

- ◆ Linewidth < 0.1 nm
- ◆ Excellent wavelength stability  $\pm 5\text{pm}@4\text{h}$
- ◆ SMSR is better than 40dB (60dB optional)
- ◆ Built-in TEC, power stability  $\pm 2\%$
- ◆ Contains PC control, emergency stop button, short circuit protection functions
- ◆ Raman analysis software available

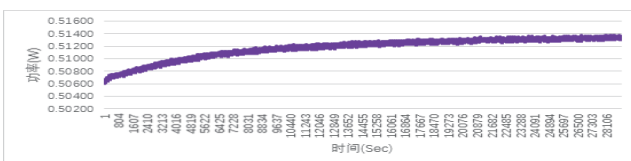
## Applications

- Raman spectroscopy
- Laser-induced fluorescence
- Pumping source

## Technical Specifications



785nm laser spectrum (SMSR > 40dB)



785nm power stability@4h

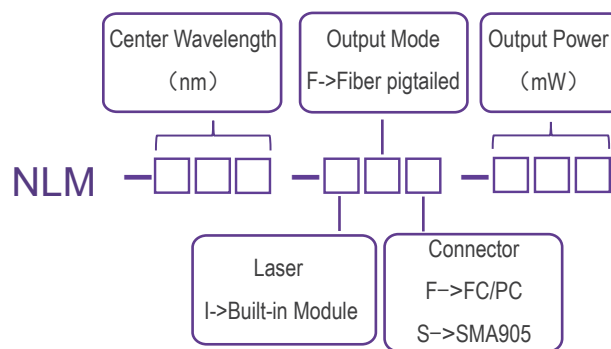
Optical Parameters							
Center Wavelength (nm)	532*	638	785	808	830	976	1064
Output Power (mW)	100	600	500	600	600	800	800
Wavelength Tolerance (nm)	$\pm 0.5$						
Linewidth (nm)	<0.05	<0.1	<0.1	<0.3	<0.1	<0.3	<0.1
Wavelength Stability	$\pm 5\text{pm}@4\text{h}$ Typ.						
Power Stability	$\pm 2\%@4\text{h}$ Typ.						
SMSR	-	30	35-45				
System Parameters							
Adjustability % Full Power	0~100%						
Warm up Time (min)	15						
Modulation Input	-		Analog signal 0-5V				
Control Interface	-		USB, BNC				
Connector	SMA905, FC/PC						
Output Fiber	105 $\mu\text{m}$ , 0.22 NA						
Supply Voltage	+5VDC						
Power Consumption	<20W Typ.						
Storage Humidity	0~80% RH						
Storage Temperature ( $^{\circ}\text{C}$ )	-10~60						
Operating Temperature ( $^{\circ}\text{C}$ )	10~35						
Weight (kg)	1.2						
Dimensions (mm)	168×88×140						

\* 532nm is diode pumped solid-state laser.

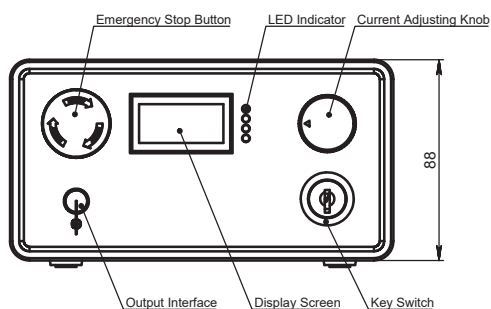
## Ordering Information

SHANGB	Output Power (mW)	Part Number	Connector
532	100	NLM-532-IF(F)-100	FC/PC
	100	NLM-532-IF(S)-100	SMA905
638	600	NLM-638-IF(F)-600	FC/PC
	600	NLM-638-IF(S)-600	SMA905
785	500	NLM-785-IF(F)-500	FC/PC
	500	NLM-785-IF(S)-500	SMA905
808	600	NLM-808-IF(F)-600	FC/PC
	600	NLM-808-IF(S)-600	SMA905
830	600	NLM-830-IF(F)-600	FC/PC
	600	NLM-830-IF(S)-600	SMA905
976	800	NLM-976-IF(F)-800	FC/PC
	800	NLM-976-IF(S)-800	SMA905
1064	800	NLM-1064-IF(F)-800	FC/PC
	800	NLM-1064-IF(S)-800	SMA905

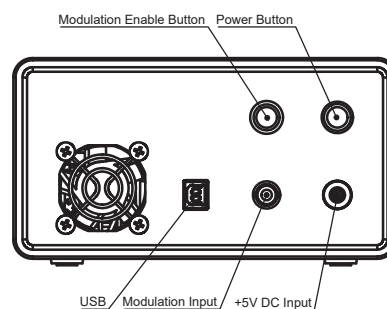
## Part Numbering Schema



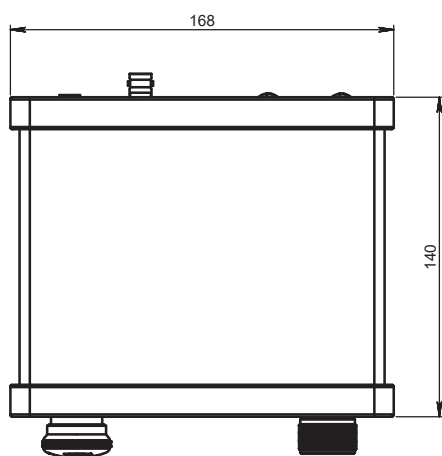
## Mechanical Drawings (mm)



Front View



Back View



Top View

