

## The Compact Wavemeter

The WaveEye is a highly accurate and very compact wavemeter. The innovative internal design makes it faster, easier to operate and much smaller than competing products. The input light can be CW and quasi-CW laserlight or incoherent light with a narrow spectrum. Wavelength data is available at a 1 kHz data rate, with no warm-up delay.

The WaveEye is operated with a USB cable via the supplied software interface or via text-based commands. In addition, the wavelength information is available as a voltage at the analog output.

Due to its extremely small size, the WaveEye is ideally suited as an OEM component, e.g. in tunable lasers, as part of a larger measurement device and in a wide range of other applications.



### Features

- Compact and easy to use
- USB powered
- PC display and analog output
- Logging and data export
- Wide input power range

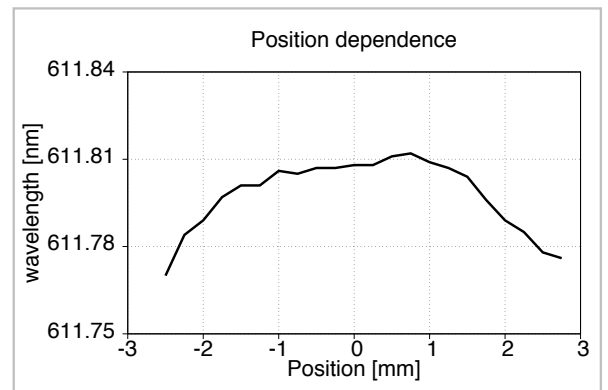
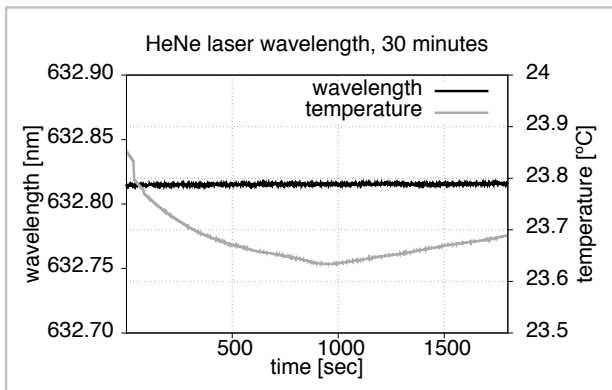
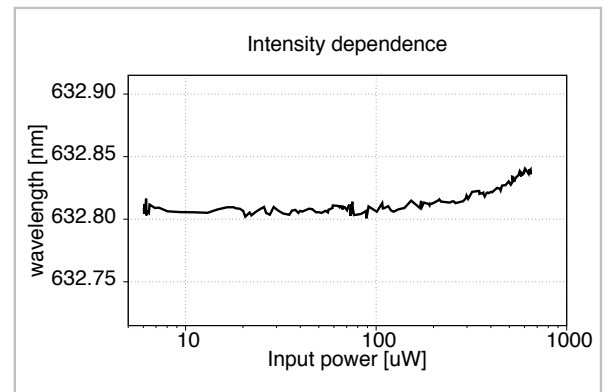
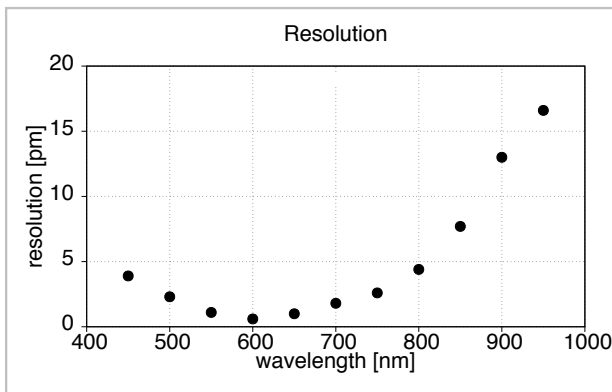
### Applications

- Characterization of diode lasers
- Integration into tunable lasers
- Spectroscopy
- Gas detection
- Characterization of detectors and other test equipment

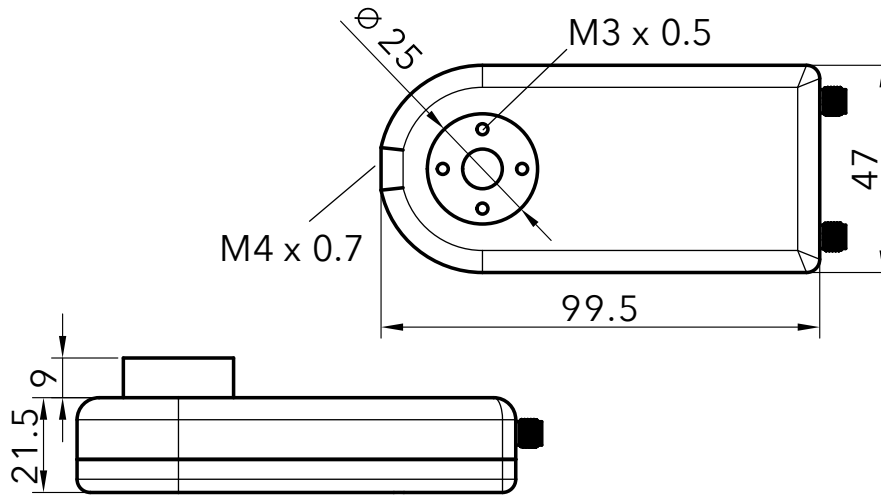
## Specifications

Spectral range	450 to 950 nm
Resolution	2 pm @ 700 nm
Accuracy, factory calibration	± 100 pm
Accuracy, user calibration	± 20 pm
Input power range	0.1 µW to 1 mW
Max. input spectrum	1 nm
Max. data rate	1 kHz
Analog output range	0 to 4.096 V
Analog resolution	16 bits
Temperature range	18 to 32 °C

## Characteristics



## Dimensions



All dimensions shown in mm.

Specifications are subject to change without notice.