

YB-DOPED CONTINUOUS WAVE FIBER LASER

High Power, Excellent beam quality, High stability

Precilasers offers a 976-1120 nm Ytterbium-doped fiber laser with innovative ASE suppression technology. Maximum output power reaches up to 1000 W. The lasers have excellent beam quality, all fiber configuration, wide emission wavelength, which makes them ideal light sources for the applications like pumping sources for Yb, Ho, Er, Tm, Pr, Raman lasers and OPO.



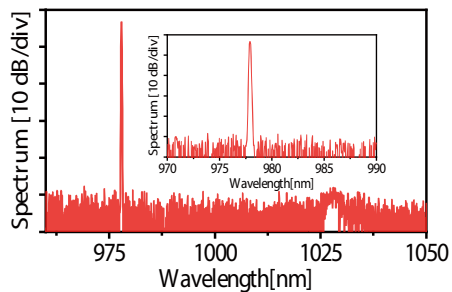
Key Features:

- Excellent beam quality: $M^2 < 1.2$
- High output power: 1000 W
- Wide emission wavelength: 976-1120 nm
- High efficiency

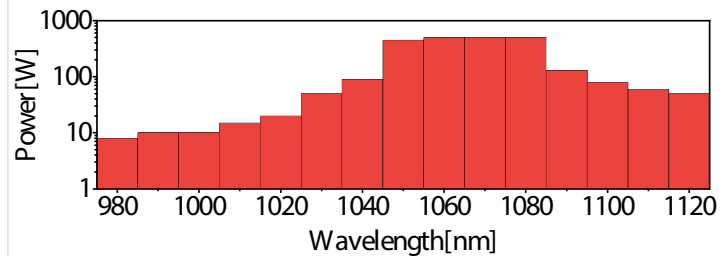
Applications:

- Measurement test
- Source for frequency doubling
- Spectrum analysis
- Neutron source of solid state laser

Laser Example YFL-978-8



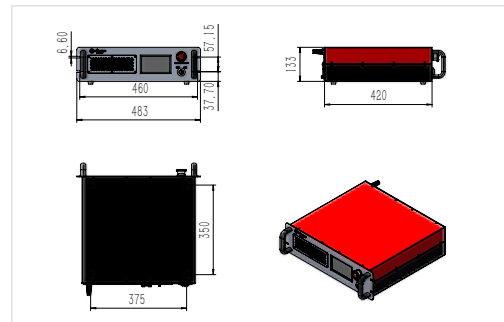
YFL-978-8-CW output spectrum



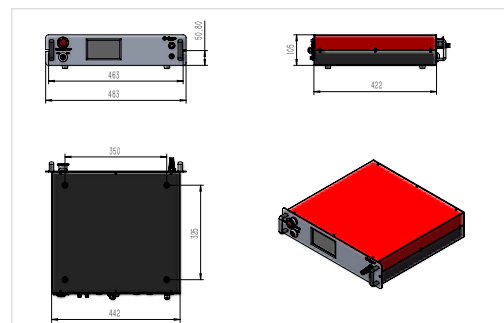
Wavelength-Power

Model	YFL-XX-YY ¹				
Central Wavelength ² , nm	976-978	1010-1025	1025-1080	1080-1100	1100-1120
Linewidth ³ , nm	< 0.5		< 1.5, < 5	< 1.5	< 1
Output Power ⁴ , W	6	20	150, 1000	100	50
Beam Quality	TEM ₀₀ , M ² < 1.2				
PER, dB	Optional Linearly-Polarized, > 18		Optional Linearly-Polarized, > 20	Optional Linearly-Polarized, > 18	
RMS Power Stability, %	P-P < 2% @ 3hrs, RMS < 0.5% @ 3hrs				
Output	Collimated Output				
Cooling	Water Cooling/Air Cooling				
Operation Temperature, °C	15-35				
Power Supply	50-60Hz, 100-220VAC				

- 1: XX: Central Wavelength; YY: Output Power; ZZ: Operation Mode
- 2: Central wavelength can be customized
- 3: Typical spectral width less than 1.5 nm and can be customized.
- 4: Out power can be customized



Size for Air-cooling Version



Size for Water-cooling Version