

WAVELENGTH TUNABLE FIBER LASER

High Power, Excellent beam quality, High stability



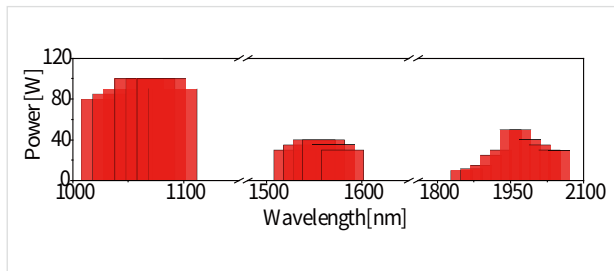
PreciLasers offers electrically controlled tunable 1010-1090 nm Yb-doped fiber laser, 1530-1580 nm Er-doped fiber laser and Tm-doped 1850-2030 nm fiber laser. The maximum output power can reach up to 100 W. The lasers have excellent beam quality and good power stability, which makes them ideal light sources for applications like laser cooling, pump source for mid-infrared laser, and spectroscopy.

Key Features:

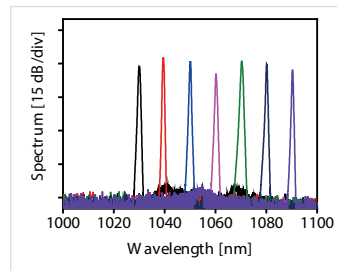
- Excellent Beam Quality: $M^2 < 1.1$
- High Output Power: 100 W
- Wide Emission Wavelength: 1030-1090nm, 1535-1580nm, 1850-2050nm

Applications:

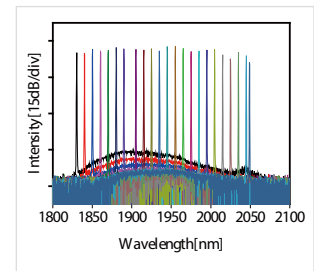
- Laser for Testing
- Spectrum Analysis
- Laser Cooling



Wavelength-Power

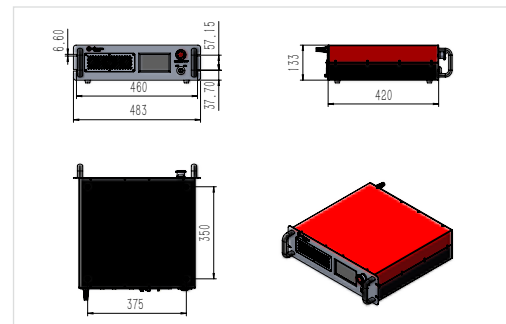


TUFL-Y-1020-1090-60 Spectrum

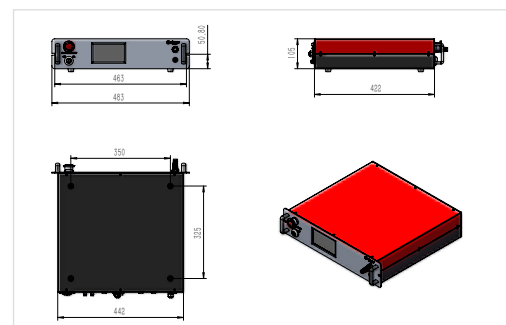


TUFL-T-1830-2050-20 Spectrum

Model	TFL-Y/E/T-A-B-XX ¹		
Central Wavelength, nm	1018-1090	1535-1580	1850-2050
Linewidth ² , nm	< 1		
Output Power ³ , W	0.1-1 (Seed sources can be tunable), 100	0.1-1 (Seed sources can be tunable), 40	0.1-1 (Seed sources can be tunable), 20
Beam Quality	TEM ₀₀ , M ² <1.1		TEM ₀₀ , M ² <1.2
PER, dB	Optional Linearly-Polarized, > 15		
RMS Power Stability, %	P-P < 2%@3hrs, RMS < 0.5%@3hrs		
Output Connector	Collimated Output		
Cooling	Air Cooling/Water Cooling		
Operation Temperature, °C	15-35		
Power Supply	50-60Hz, 100-220VAC		



Size for Air-cooling Version



Size for Water-cooling Version

1: Y / E / T: product types; A-B: tuning range; 20: Maximum output power

2: Typical linewidth less than 1 nm and can be customized

3: Higher power can be customized