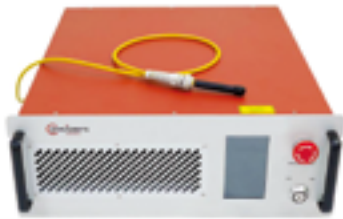


RAMAN FIBER LASER

High Power, Excellent beam quality, High stability



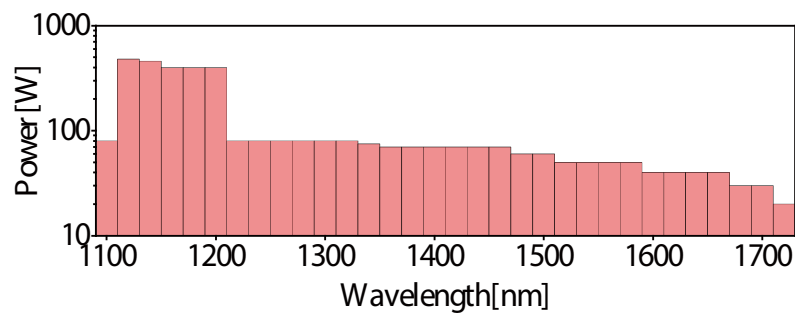
PreciLasers offers 1100-2000 nm Raman fiber laser to overcome the limited emission spectral region of the rare-earth-doped fiber laser. The maximum output power can reach up to 400 W for single-mode operation. They are designed for the applications like mid-infrared, tandem laser pumping, laser spectroscopy and industrial application.

Key Features:

- Excellent Beam Quality: $M^2 < 1.2$
- High Output Power: 400 W
- Wide Wavelength Range: 1100-2000nm
- Excellent power stability

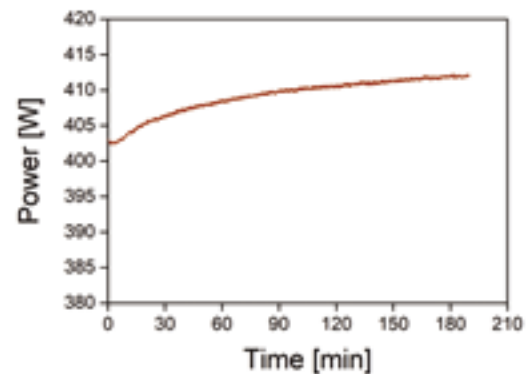
Applications:

- Laser for Medical Application
- Fundamental Light for SHG
- Polymer Welding
- Supercontinuum Sources
- Tandem Pump laser for Er/Tm/Ho laser

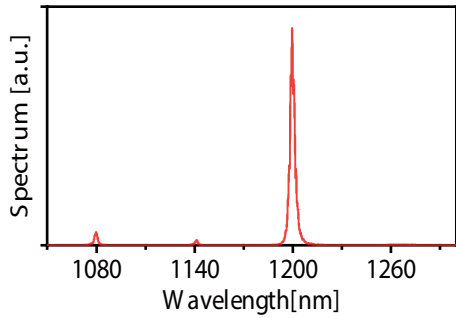


- Output Power: 400 W
- Linewidth: 2.9 nm
- In band power: 93%
- TEM00 output, $M^2 < 1.2$
- Power peak fluctuation < 2.5% @3hrs
- Maximum power consumption: 1900w

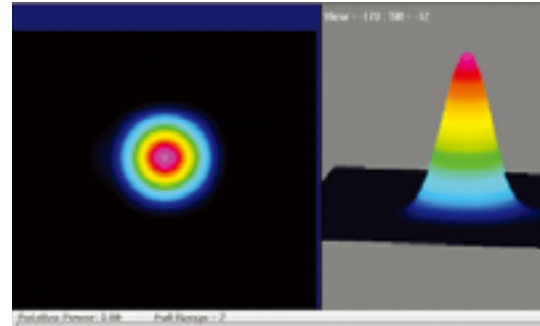
key parameters



RFL-1200-400 Power Stability



Rfl-1200-40 output spectrum

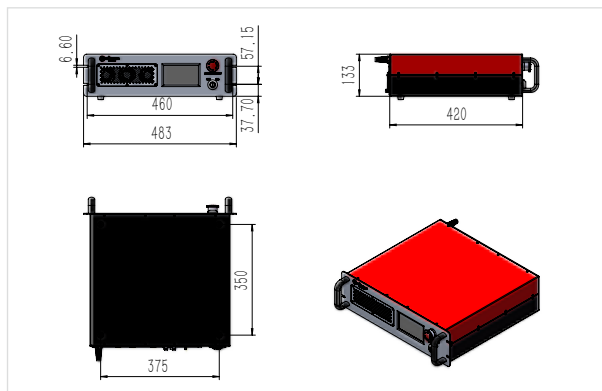


RFL-1200-400 Beam spot@400W

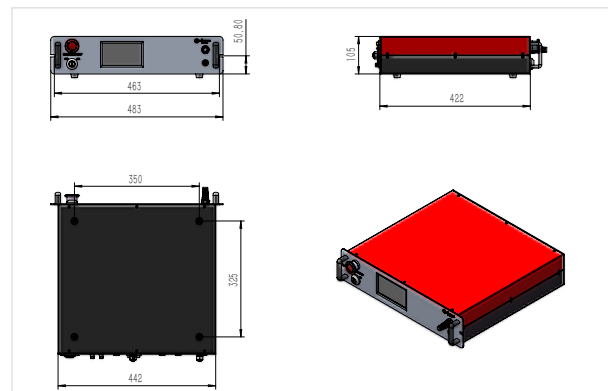
Model	RFL-XX-YY ¹			
Central Wavelength ² , nm	1100-1200	1200-1350	1350-1500	1600-1700
Linewidth ³ , nm	< 1, < 5		< 1.5	
Output Power ⁴ , W	100,400	80	60	40
Beam Quality	TEM ₀₀ , M ² <1.2			
PER, dB	Optional Linearly-Polarized, > 18			
RMS Power Stability, %	P-P < 2%@3hrs, RMS < 0.5%@3hrs			
Power Inband	> 95		> 90	
Output Connector	Collimated Output			
Cooling	Air Cooling/Water Cooling			
Operation Temperature, °C	15-35			
Power Supply	50-60Hz, 100-220VAC			

1: XX: Central Wavelength; YY: Output Power; ZZ: Operation Mode.
 2: Central wavelength can be customized.

3: Typical spectral width less than 1.5 nm and can be customized.
 4: Out power can be customized.



Size for Air-cooling Version



Size for Water-cooling Version