

# TM-DOPED CONTINUOUS WAVE FIBER LASER

High Power, Excellent beam quality, High stability



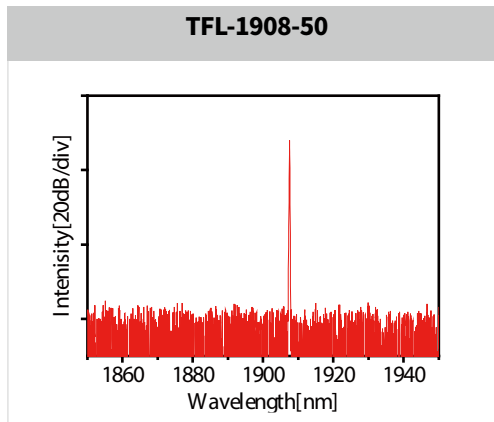
PreciLasers offers a 1700-2050 nm Thulium-doped fiber laser with innovative ASE suppression technology. Maximum output power reaches up to 50 W. The lasers have excellent beam quality, all fiber configuration, wide emission wavelength, which makes them ideal light sources for the applications like pumping sources for Ho-doped laser, supercontinuous generation, polymer welding and so on.

### Key Features:

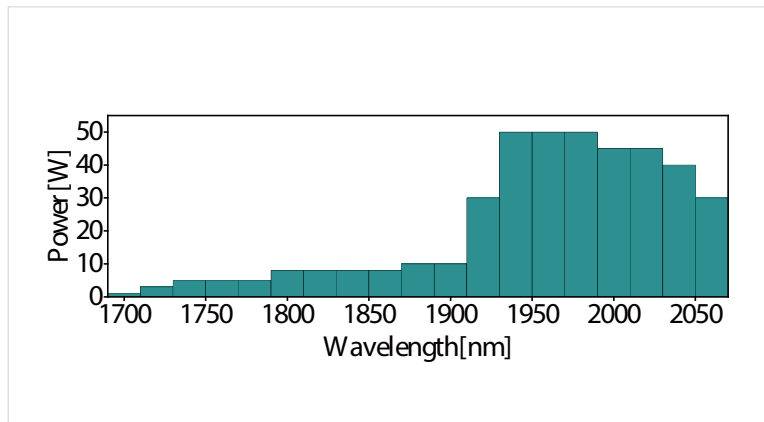
- Excellent Beam quality:  $M^2 < 1.1$
- High Output Power: 50 W
- Wide Wavelength Range: 1700-2050nm
- Excellent power stability

### Applications:

- Laser for Medical Application
- Tandem Pump Laser for Ho laser
- Fundamental Light for SHG
- Polymer Welding



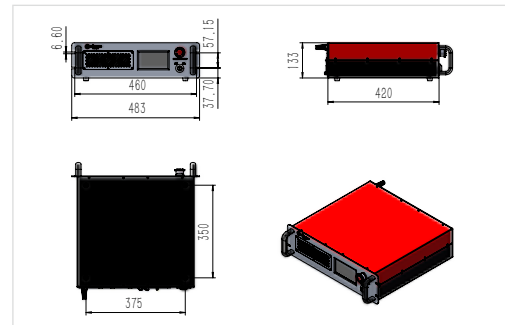
TFL-1908nm-50 Output Spectrum



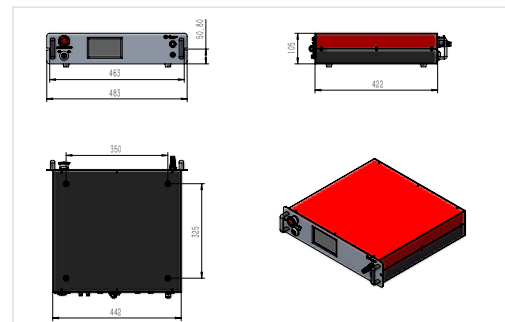
TFL-Wavelength-Power

Model	TFL-XX-YY <sup>1</sup>			
Central Wavelength <sup>2</sup> , nm	1700-1800	1800-1900	1900-2000	2000-2050
Linewidth <sup>3</sup> , nm	< 1		< 1.5	
Output Power <sup>4</sup> , W	5	10	50	40
Beam Quality	TEM <sub>00</sub> , M <sup>2</sup> <1.1		TEM <sub>00</sub> , M <sup>2</sup> <1.2	
PER, dB	Optional Linearly-Polarized, > 15			
RMS Power Stability, %	P-P < 2%@3hrs, RMS < 0.5%@3hrs			
Output Connector	Collimated Output			
Cooling	Air Cooling/Water Cooling			
Operation Temperature, °C	15-35			
Power Supply	50-60Hz, 100-220VAC			

- 1: XX: Central Wavelength; YY: Output Power; ZZ: Operation Mode.
- 2: Central wavelength can be customized.
- 3: Typical spectral width less than 1.5 nm and can be customized.
- 4: Out power can be customized.



Size for Air-cooling Version



Size for Water-Cooling Version