

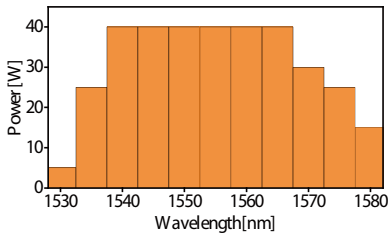
ER-DOPED CONTINUOUS WAVE FIBER LASER

High Power, Excellent beam quality, High stability

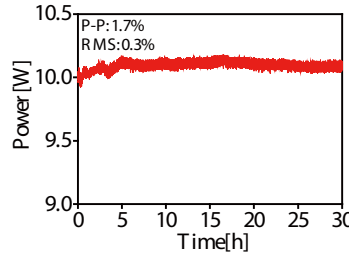


PreciLasers offers a 1530-1605 nm Erbium-doped fiber laser with innovative ASE suppression technology. Maximum output power can be up to 40 W. For low power output, we use traditional diode laser to pump double-clad Erbium-Ytterbium co-doped fiber, which has compact structure and low cost. For higher output power, the maximum output power is 40 W, which can be used in high power applications such as pumping mid-infrared lasers. The lasers have excellent beam quality, all fiber configuration, wide emission wavelength.

Laser Example EFL-1560-10



EFL-HP Wavelength-Power



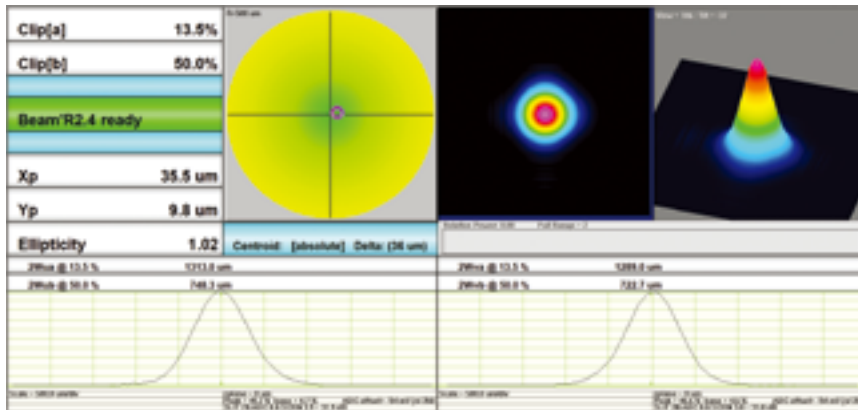
EFL-1560-10 Power Stability

Key Features:

- Excellent Beam Quality: $M^2 < 1.1$
- High Output Power: 40 W
- Wide Emission
Wavelength: 1530-1580 nm
- Excellent power stability

Applications:

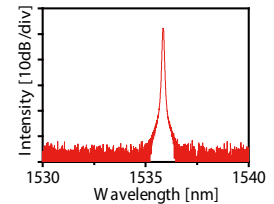
- Fiber Laser Communication
- 1530 nm pump laser
- 15xx nm Raman Pump Laser
- 15xx nm Tm-doped Pump Laser



EFL-1535-40 Beam Profile

- **Output Power: 40 W**
- **Linewidth: 0.2nm**
- **Power peak fluctuation, $M^2 < 1.1$**

EFL-1535-30 key parameters

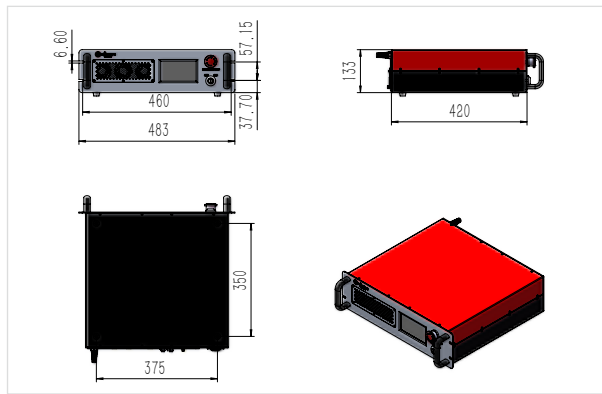


EFL-1535-40 output spectrum

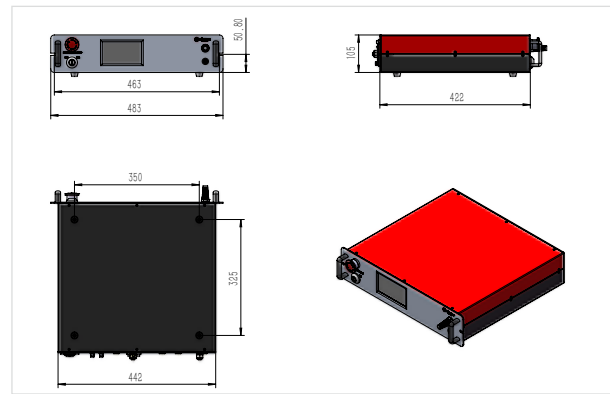
| Model | EFL-XX-YY ¹ | | | |
|--------------------------------------|---|----------------------------------|-----------|-----------------------------------|
| Central Wavelength ² , nm | 1530-1535 | 1535-1540 | 1540-1565 | 1565-1580 |
| Linewidth ³ , nm | < 0.5 | | < 1 | |
| Output Power ⁴ , W | 20 | 40 | 50 | 20 |
| Beam Quality | TEM ₀₀ , M ² <1.1 | | | |
| PER, dB | Optional Linearly-Polarized, > 18 | Optional Linearly-Polarized, >20 | | Optional Linearly-Polarized, > 18 |
| RMS Power Stability, % | P-P < 2%@3hrs, RMS < 0.5%@3hrs | | | |
| Output Connector | Collimated Output | | | |
| Cooling | Air Cooling/Water Cooling | | | |
| Operation Temperature, °C | 15-35 | | | |
| Power Supply | 50-60Hz, 100-220VAC | | | |

1: XX: Central Wavelength; YY: Output Power; ZZ: Operation Mode.
2: Central wavelength can be customized.

3: Typical spectral width less than 1.5 nm and can be customized.
4: Out power can be customized.



Size for Air-cooling Version



Size for Water-Cooling Version