

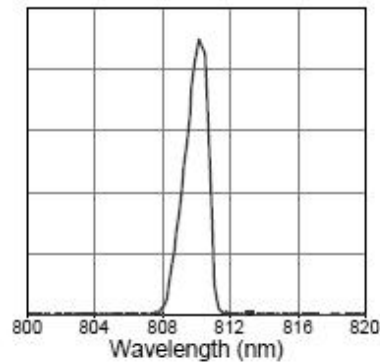
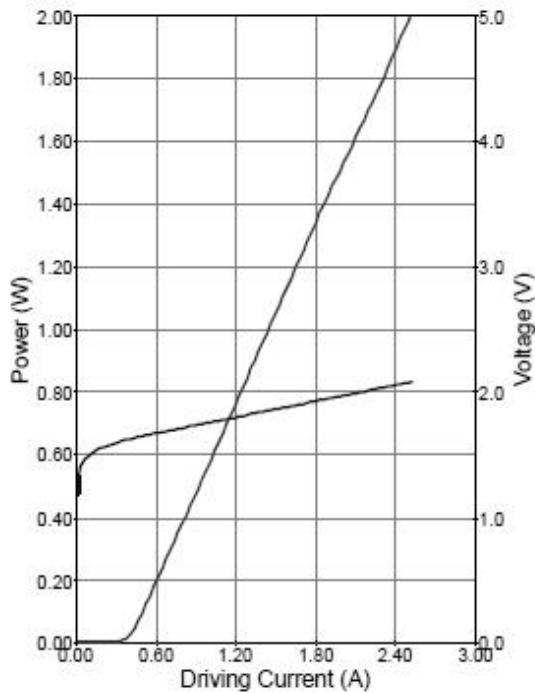
808nm 2W Laser Diode Module

R808 ± 10-2WD-8BULT-PFS



Feature
Output power: 2W
Wavelength : 808nm
Fiber core : 200μm
Aiming beam : 650nm
Numerical Aperture : 0.22NA
Application
Medical use

808nm 2W Characteristics (25°C)



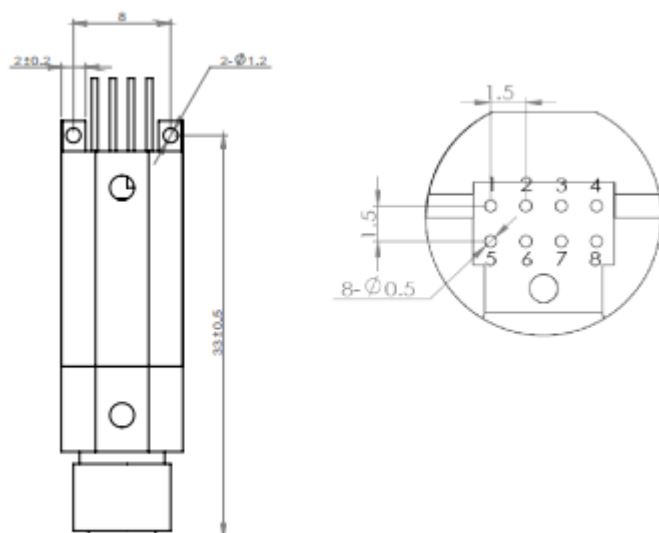
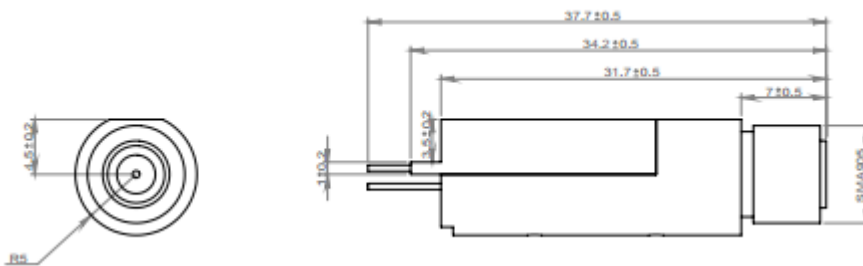
Parameters

Parameter	Operating Temperature /°C	Operating Relative Humidity /%	Storage Temperature /°C	Storage Relative Humidity /%	Lead Soldering Temperature(max/°C)
Min	10	-	-20	-	-
Max	30	75	80	70	250(10Sec.)

Typical Device Performance(25°C)

Parameter	Symbol	Typical Value	Unit	
		R808±10-2WD-8BULT-PFS		
Optical	CW Output Power	P_{op}	2	W
	Center Wavelength	λ_c	808nm±10	nm
	Spectral Width	$\Delta\lambda$	≤6	nm
	Temperature drift of wavelength	$\Delta\lambda/\Delta T$	0.3	nm/°C
Aiming beam	Output Power	P_a	2	mW
	Wavelength	λ_a	650±10	nm
	Voltage	V_a	2.2	V
Electrical	Threshold Current	I_{th}	0.4	A
	Operating Current	I_{op}	2.5	A
	Operating Voltage	V_{op}	2.1	V
	Slope Efficiency	η_{es}	0.93	W/A
Fiber	Fiber core	d_{core}	200	μm
	Fiber Cladding Diameter	d_{clad}	220	μm
	Fiber Buffer Diameter	d_{buffer}	250	μm
	Numerical aperture	NA	0.22	-
	Connector	-	SMA905	-

Package Dimensions (mm)



Pin	Function
1	FCD (+)
2	Thermistor
3	Aiming beam (-)
4	Aiming beam (+)
5	Thermistor
6	Laser (+)
7	FCD (-); Case
8	Laser (-)