

## THATSHIGH EOD-10Ga



### THATSHIGH Features of DKDP Series Pockels Cell

- **High deuteration (>98.0%) DKDP.**
- **No static birefringence.**
- **No photorefractive damage.**
- **Resistant to environmental temperature.**
- **Excellent electric-optical properties.**
- **Sealant and adhesive free.**
- **High extinction ratio**
- **High damage threshold**
- **Low  $\lambda/4$  Voltage**
- **Single Pass Optical Transmission**
- **Compact design**
- **Easy adjustment**

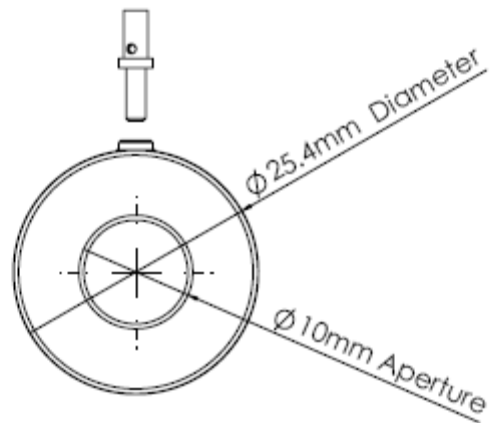
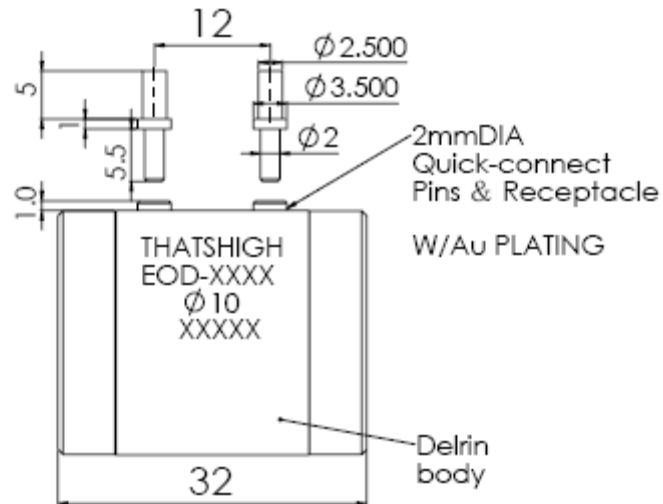
### Typical Performance @1064nm

Type:	EOD-10Ga
Dimension	$\Phi 25.4 \times 32$
Clear Aperture	$\Phi 10$
Single Pass Optical Transmission	>98%
Wavefront Distortion	$< \lambda/8$
Extinction Ratio@1064nm	>5000:1
$\lambda/4$ Voltage	3200V $\pm$ 200V
Capacitance	<5 pF
Damage Threshold	500MW/cm <sup>2</sup> @1064nm, 10ns, 10Hz

As part of our policy of continuous product improvement we reserve the right to change specifications at any time



## THATSHIGH EOD-10G $\alpha$



Website: [www.thatshigh.com](http://www.thatshigh.com)

As part of our policy of continuous product improvement we reserve the right to change specifications at any time