

EOT TTL-ANALOG PHOTODETECTOR USER'S GUIDE

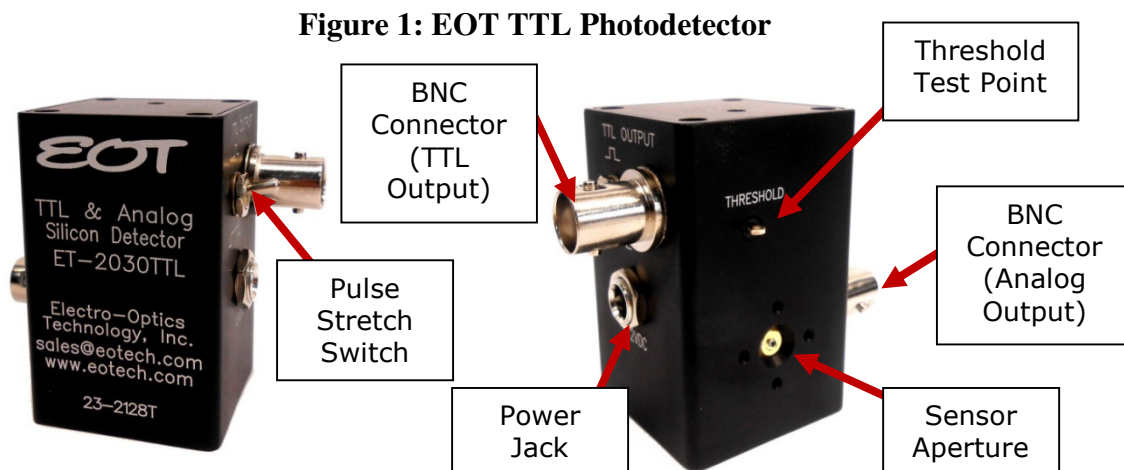
Thank you for purchasing your TTL-Analog Photodetector from EOT. This user's guide will help answer any questions you may have regarding the safe use and optimal operation of your Photodetector.

TABLE OF CONTENTS

I. TTL-Analog Photodetector Overview.....	1
II. Operation of your EOT TTL-Analog Photodetector.....	1
III. Timing and Sensitivity Considerations	2
IV. Troubleshooting.....	2
V. Drawings: TTL-Analog Photodetectors	3
VI. Specifications: TTL-Analog Photodetectors.....	4
VII. Schematics: TTL-Analog Photodetectors	4
VIII. Warranty Statement and Repair	5
IX. Glossary of Terms	5

I. TTL-Analog Photodetector Overview

EOT's Photodetectors with TTL Output are based off our standard detectors with the added feature of a two-state output with an adjustable threshold. Thus, the Analog Output exhibits performance characteristics on par with our standard products that share the same core part number. Figure 1 below identifies the main elements of your TTL Photodetector.



II. Operation of your EOT TTL-Analog Photodetector

A. Caution: Eye safety precautions must be followed when utilizing any equipment used in the vicinity of laser beams. Laser beams may reflect from the surface of the detector or the optical mount and caution must be exercised.



- B. Mount the detector to an optical stand by the mounting holes on the bottom of the detector housing. Both English and Metric threads are provided. The holes can be reversed if desired by reinstalling the baseplate, reversed.
- C. Terminate the detector's Analog Output into 50Ω . Use 50Ω coaxial cable as required on the Analog and TTL Outputs. The specified performance will only be realized if the cable is less than 1 meter and the termination impedance on the TTL Output is $\leq 500\Omega$.
- D. Connect the 12V power supply provided.
- E. After being certain that the damage threshold of the detector is not exceeded, aim the laser on the center of the photodiode lens. If an oscilloscope is connected to the Analog Output, align the beam until the voltage is maximized.
- F. The threshold adjust screw varies the Analog Output voltage at which the TTL Output will change logic states. Its level can be observed by connecting a voltmeter (with input impedance $> 100k\Omega$ to the threshold test point). Performance is optimal when the threshold is adjusted to half the peak Analog Output however the useful range extends from about 40mV to the analog peak. If the threshold is adjusted much below 40mV, the TTL Output may oscillate.
- G. The duration of the TTL Output can be stretched by moving the toggle switch to the down position. This is useful when connecting to instruments too slow to recognize pulses only tens of nanoseconds in duration.

III. Timing and Sensitivity Considerations

- A. Timing Considerations: The propagation delay, rise time, fall time, and over/undershoot of the TTL Output are all proportional to both the length of the coaxial cable and the termination impedance. The rise time and fall time specifications include the propagation delay and can be improved upon by shortening the length of the coaxial cable and/or reducing the termination impedance, although the latter will reduce the logic high voltage. Do not use termination impedances less than 50Ω .
- B. Sensitivity Considerations: Since the internal photodiode is essentially a current source, the Analog Output voltage can be increased by increasing its termination impedance at the expense of slowing its response time. However, if one's goal is to increase the sensitivity at the TTL Output, a slowing of the Analog Output by an order of magnitude will not significantly delay the TTL Output since its response is considerably slower, yet will increase its sensitivity.

IV. Troubleshooting

A. No signal is seen the first time the detector is used.

1. Be certain that the signal is not high off scale on the oscilloscope.
2. Is the wavelength of the laser within the spectral range of the detector?
3. Has the proper termination impedance been used?

4. Try moving the detector within the laser beam.
5. Is there enough light (see sensitivity spec on the data sheet) incident on the detector to generate a signal?

B. A signal has been previously obtained, but not currently.

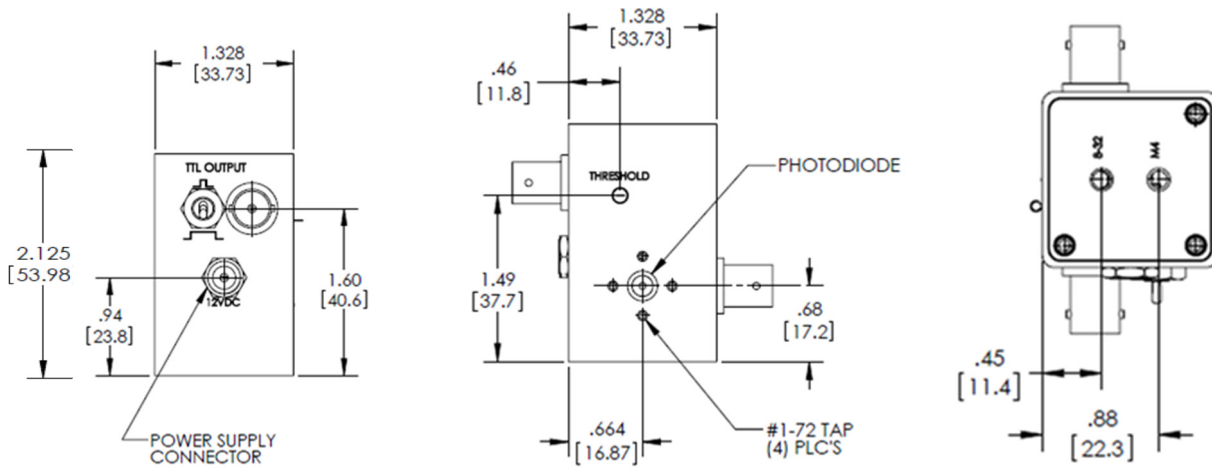
1. Try steps listed under A.
2. Inspect the active area of the photodiode for any signs of damage.
3. Test the power supply for 12VDC output.

C. Increasing the power incident on the detector does not result in a higher voltage signal on the oscilloscope:

1. The detector is probably saturated. You should lower the power incident on the detector to a level below the saturation point.

V. Drawings: TTL-Analog Photodetectors

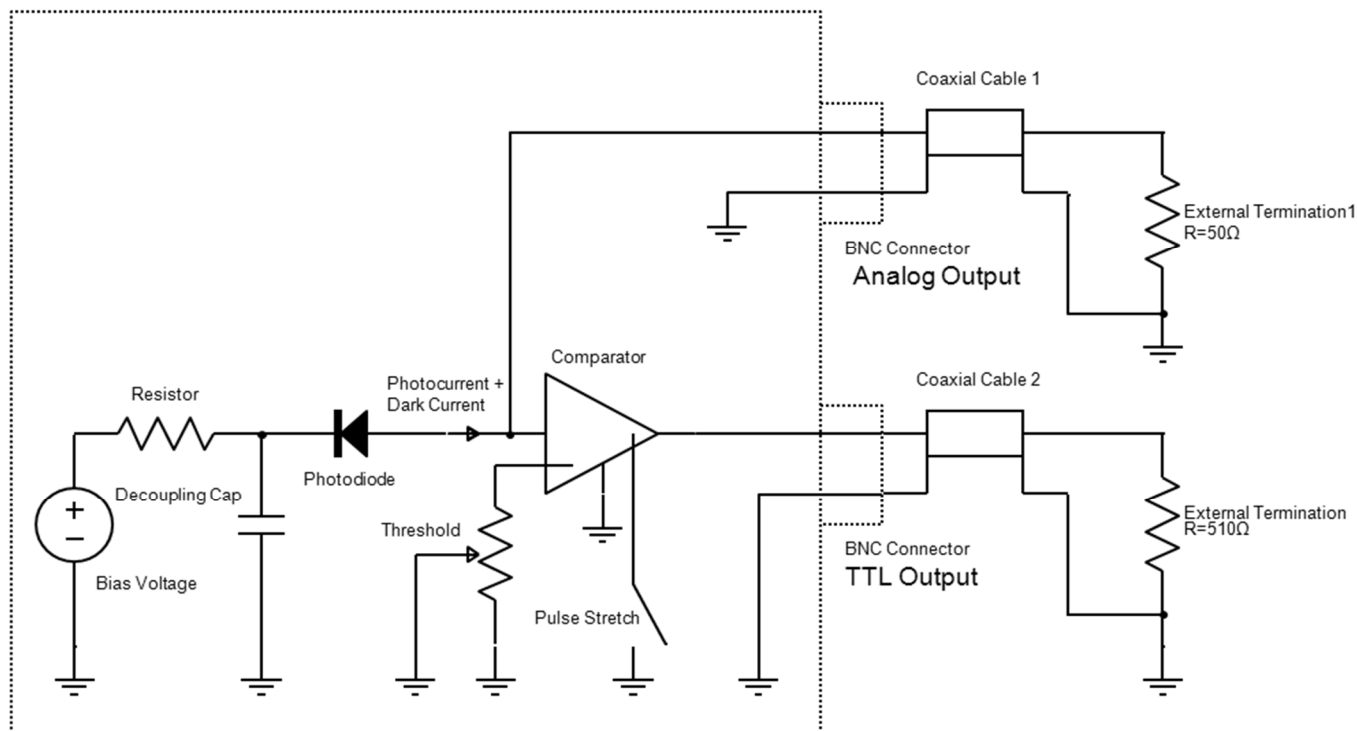
A. ET-2030TTL, ET-3000TTL Dimensions:



VI. Specifications: TTL-Analog Photodetectors

Part No. (Model)	120-10022-0001 (ET-2030TTL)	120-10044-0001 (ET-3000TTL)
Detector Material	Silicon	InGaAs
Power Supply (VDC)	12	12
Active Area Diameter (μm)	400	100
Dark Current (nA)	<0.1	<2.0
Acceptance Angle (1/2 angle)	10°	20°
Noise Equivalent Power ($\text{pW}/\sqrt{\text{Hz}}$)	<0.01	<0.03
Mounting (Tapped Holes)	8-32 and M4	8-32 and M4
Analog Output		
Rise Time/Fall Time (ps)	<300/<300	<175/<175
Responsivity	0.47A/W at 830nm	0.9A/W at 1300nm
Bandwidth	DC-1.2GHz	DC-1.2GHz
Maximum Linear Rating	CW and Pulse current: 3mA	CW current: 5mA CW power: 20mW
Termination	50 Ω external	50 Ω external
Output Connector	BNC	BNC
TTL Output		
Rise Time/Fall Time (ns)	<8/<9	<8/<9
Bandwidth	DC-60MHz	DC 60-MHz
Termination	500 Ω	500 Ω
Adjustable Trigger Threshold (mV)	40-500	40-500
Minimum Detection Pulsewidth (ns)	8	8
Logic High/Logic Low (V)	>3.0/<0.5	>3.0/<0.5
Pulse Stretch (when enabled)	100ns typical	100ns typical
Output Connector	BNC	BNC

VII. Schematics: TTL-Analog Photodetectors





VIII. Warranty Statement and Repair

EOT warrants its products to be free from defects in material and workmanship and complies with all specifications. EOT will at its option, repair or replace any product or component found to be defective during the warranty period. This warranty applies only to the original purchaser and is not transferrable for a period of one year after date of original shipment. The foregoing warranties shall not apply, and EOT reserves the right to refuse warranty service, should malfunction or failure result from:

- a. Damage caused by improper installation, handling or use.
- b. Unauthorized product modification or repair.
- c. Operation outside the environmental or damage specifications of the product.
- d. Contamination not reported to EOT within 30 days of the original ship date.

This warranty is exclusive in lieu of all other warranties whether written, oral, or implied. EOT specifically disclaims the implied warranties of merchantability and fitness for a particular purpose. In no event shall EOT be liable for an indirect, incidental, or consequential damages in connection with its products.

If the customer believes there is a problem with the photodetector, they should immediately contact EOT's Sales/Customer department at 231-935-4044 or customerservice@eotech.com. EOT's Customer Service department will either issue an RMA for the device, or provide the customer with a procedure and authorize the customer to modify the device. All returns should reference the RMA number on the outside of the shipping container and should be sent to:

Electro-Optics Technology, Inc.
Attn: Sales/Customer Service
5835 Shugart Lane
Traverse City, MI 49684 USA

EOT reserves the right to inspect photodetectors returned under warranty to assess if the problem was caused by a manufacturer defect. If EOT determines the problem is not due to a manufacturer defect, repairs will be done at the customer's expense. EOT will always provide a written quote for repair prior to performing repairs at the customer's expense.

IX. Glossary of Terms

Analog Output: Exhibits performance characteristics equal to EOT's standard photodetectors.

Bandwidth: The range of frequencies from 0Hz (DC) to the frequency at which the amplitude decreases by 3dB. Bandwidth and rise time can be approximately related by the equation:
Bandwidth \approx 0.35/rise time for a Gaussian pulse input.

Bias Voltage: The photodiode's junction capacitance can be modified by applying a reverse voltage. The bias voltage reduces the junction capacitance, which causes the photodiode to have a faster response.

BNC Connector: Used to connect the customer's coaxial cable.

Comparator: Converts the Gaussian pulse from the photodiode to a TTL-compatible logic pulse.

Dark Current: When a termination is present, a dark current (nA range) will flow if the photodiode is biased. Disconnecting the coaxial cable will prevent this current from flowing.

Decoupling Capacitor: Maintains bias voltage when fast pulses cause the battery voltage to reduce (this would slow the response time of the photodiode); the capacitor allows the battery to recover to its initial voltage. It also acts as a filter for external power supplies.

Noise Equivalent Power (NEP): A function of responsivity and dark current and is the minimum optical power needed for an output signal to noise ratio of 1. Dark current is the current that flows through a reverse biased photodiode even when light is not present, and is typically on the order of nA. Shot noise (I_{shot}) is a source of noise generated in part by dark current; in the case of reversed biased diodes it is the dominant contributor. NEP is calculated from shot noise and responsivity. For example, for a responsivity @ 830nm = 0.5 A/W:

$$Shot_Noise = \sqrt{2qI_d} = \sqrt{2(1.6 \times 10^{-19} \text{ As})(20 \times 10^{-9} \text{ A})} = 0.08 \text{ pA} \sqrt{s} = 0.08 \text{ pA} / \sqrt{\text{Hz}}$$

$$NEP = I_{shot} / R_{830\text{nm}} = \frac{0.08 \text{ pA}}{\sqrt{\text{Hz}}} * \frac{\text{W}}{0.5 \text{ A}} = 0.16 \text{ pW} / \sqrt{\text{Hz}}$$

q = charge on an electron

Photodiode: Converts photons into a photocurrent.

Pulse Stretch: The function which lengthens the duration of the TTL pulse to approximately 100ns. The circuit is in pulse stretch mode when the Pulse Stretch switch is not grounded.

Resistor: Protects the photodiode from excessive current. This could occur if an external power supply was too high in voltage, or if its polarity were reversed; this happens when a customer uses their own power supply.

Responsivity: In amps per watt (A/W), responsivity is the current output of the photodiode for a given input power, and is determined by the diode structure. Responsivity varies with wavelength and diode material.

Rise Time/Fall Time: Rise Time is the time taken by a signal to change from a specified low value to a specified high value. Fall Time is the time taken for the amplitude of a pulse to decrease from a specified value to another specified value. A larger junction capacitance will slow the detector's response time.

Termination Resistor (50Ω): Reduces signal reflections and balances the 50Ω microstrip/coaxial cable lines. As a result, half the photodiode current is lost to the internal resistor.

Threshold Adjust: Varies the point on the Gaussian pulse at which the TTL Output changes logic states.

TTL Output: Can produce pulses less than 10ns.