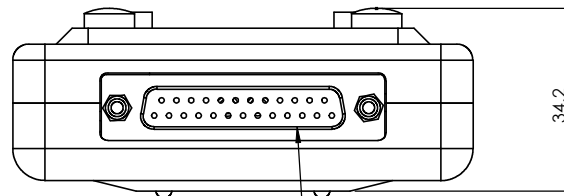
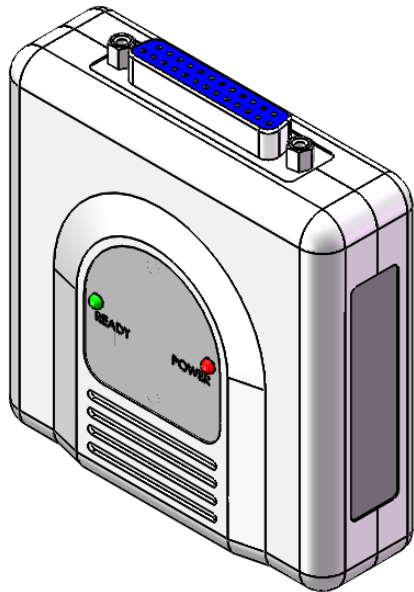
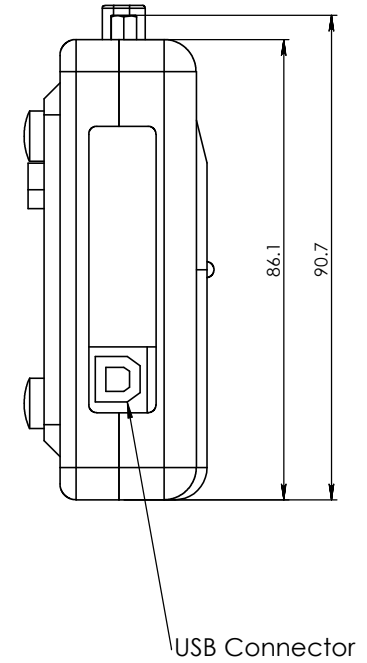
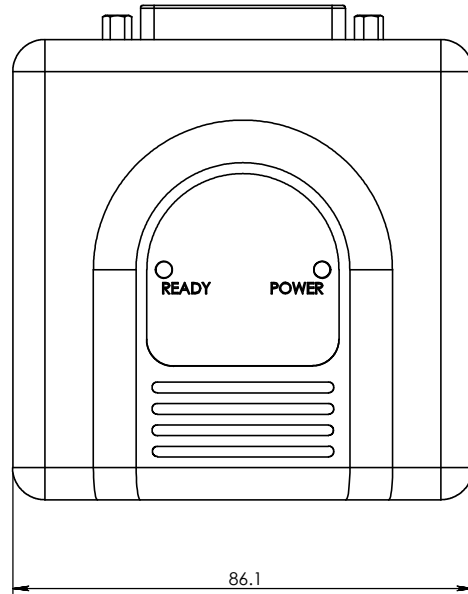



# Information only, not for manufacture



1. Plug and play connector.
2. Smart connector for both position and angle detectors.

				DIMENSIONS IN MILLIMETERS (mm)		scale 1:1	
				 <b>DUMA OPTRONICS LTD.</b>			
				TITLE: <b>AlignMeter LA - Manifold box</b>			
				DWG NO. <b>ALIGN_LA_03</b>			
Do not scale drawing							
	NAME	SIGNATURE	DATE				
DRAWN	Yair		8.5.2012				
CHKD	Oren		8.5.2012				
APPVD	Judith		8.5.2012				