

SINGLE FREQUENCY TM-DOPED FIBER LASER

Continuous, High Power, Ultra Low Rin, Narrow Linewidth, Tunable



Precilasers offers 1700-2050 nm Tm-doped fiber amplifier with innovative ASE suppression technique. Maximum output power reaches up to 40 W for single-frequency operation. The lasers have ultra-low intensity noise ($RIN < 0.05\%$, 10Hz-10MHz) and excellent beam quality ($M^2 < 1.15$), which makes them ideal light sources for the applications like optical lattice, laser atom cooling and biomedical. The full protection system of the laser ensures long-term free of maintenance and long life time

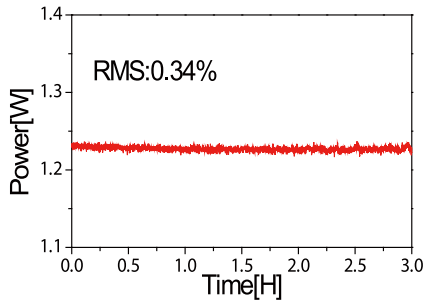
Key Features:

- Narrow linewidth
- Support seed built-in, Tunable
- Low intensity noise
- Good beam quality ($M^2 < 1.2$)
- Seed Power off Protection System

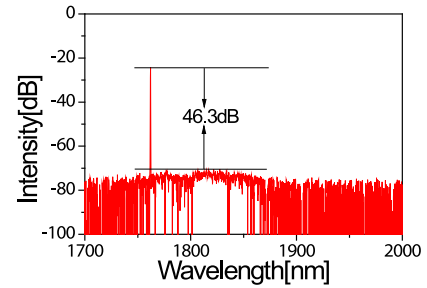
Applications:

- Pump Laser for frequency converteds
- Laser Lidar
- Biomedical
- Laser cooling of atoms
- Pump for mid-IR OPO

Product: FA-SF-1762-1-CW



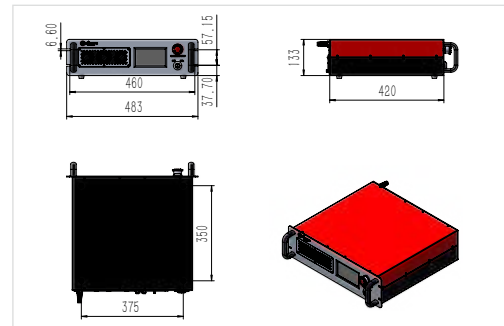
1W 1762 nm TFA power stability test



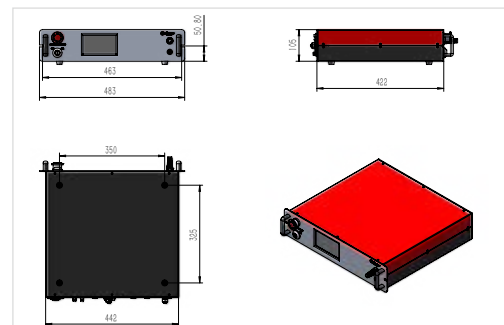
1W 1760 nm laser output spectrum

Model	FA-SF-XX-YY-ZZ ¹			
Central Wavelength, nm	1700-1800	1800-1900	1900-1940	1940-2050
Output Power, W	2	10	20	40
Seed Laser Power, mW	>1			
Linewidth FWHM, KHz	~10 kHz (With Precilasers' Seed FL-SF-1XXX-S)			
Operation Mode	CW			
Beam Quality	TEM ₀₀ , M ² < 1.15			
PER, dB	> 20			
RMS Power Stability	< 0.5% @ 3hrs			
Output Connector	Collimated Output			
Cooling	Air Cooling/Water Cooling			
Power Supply	50-60Hz, 100-240VAC			

1: XX: Central Wavelength; YY: Output Power; ZZ: Operation Mode.



Size for Air-cooling Version



Size for Water-cooling Version